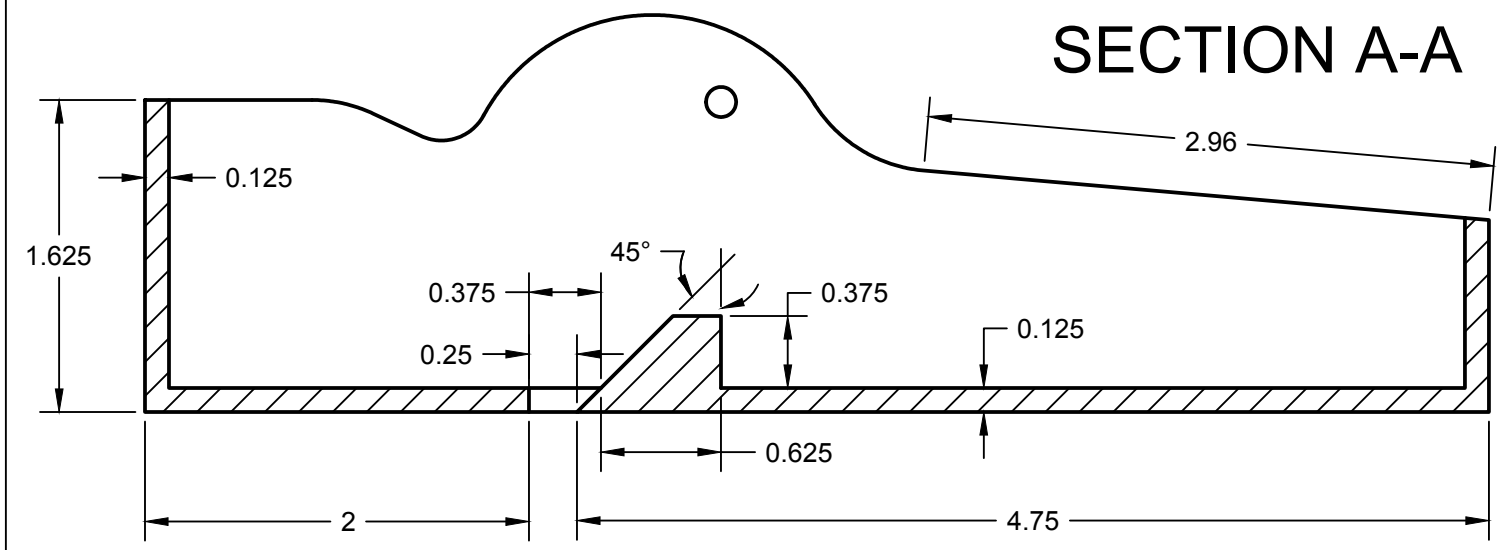


SECTION A-A



PROJECT			
Smoother Issue 5 - Planes of WORK			
TITLE			
Casting Body Finished Dimensions			
APPROVED	SIZE	CODE	DWG NO
CHECKED	B		REV 1
DRAWN	Brian Rytel	9/26/2018	SCALE 1:1
WEIGHT		SHEET 1/1	