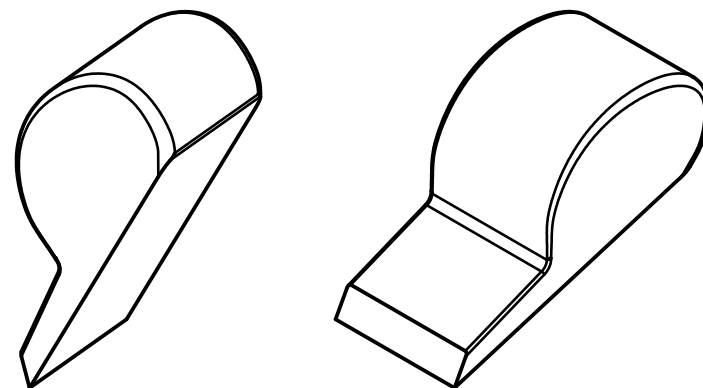
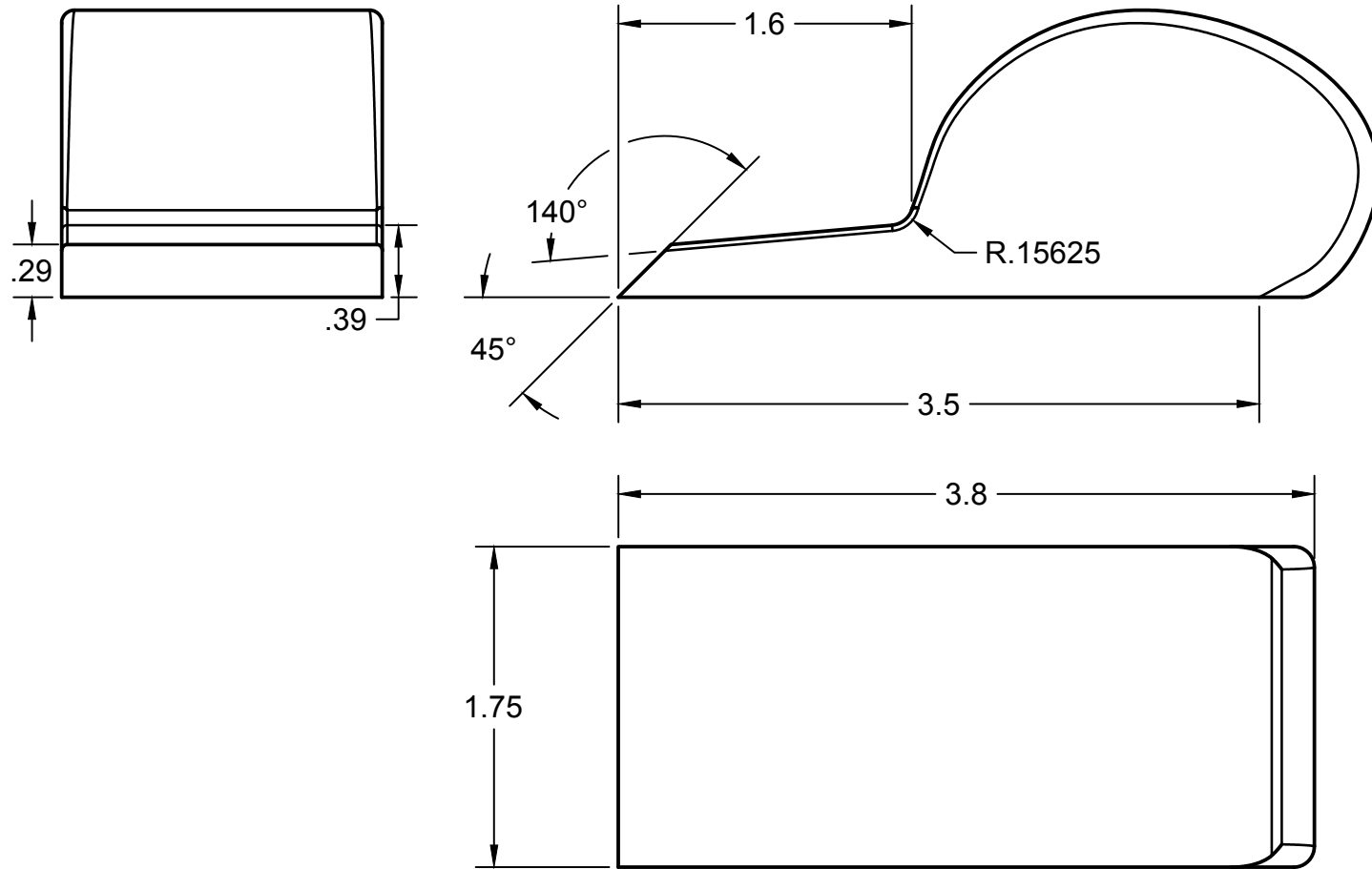
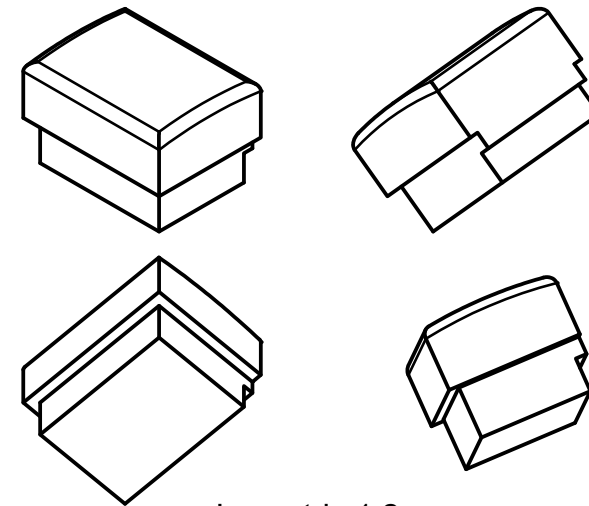
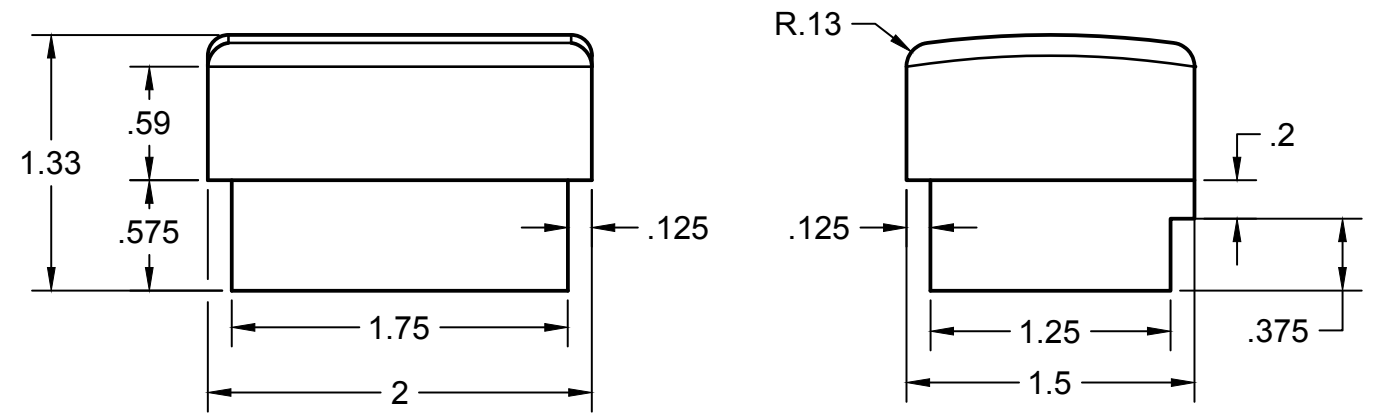


# WEDGE



Isometric 1:2

# BUN



Isometric 1:2

		PROJECT			
		Chariot Issue 5 - Planes of WORK			
		TITLE			
		Bun (front) and Wedge Infill			
APPROVED	SIZE	CODE	DWG NO	REV	
CHECKED	B			1	
DRAWN	Brian Rytel	10/5/2018	SCALE 1:1	WEIGHT	
			SHEET	1/1	