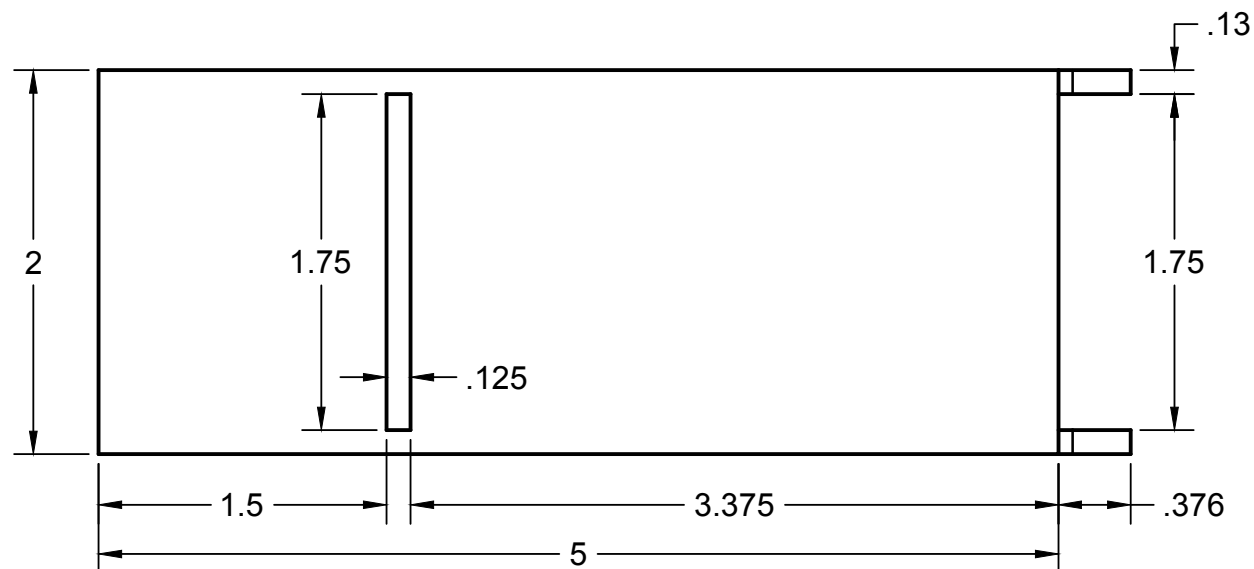
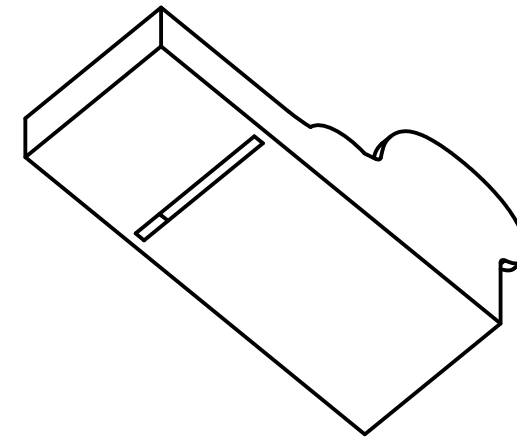
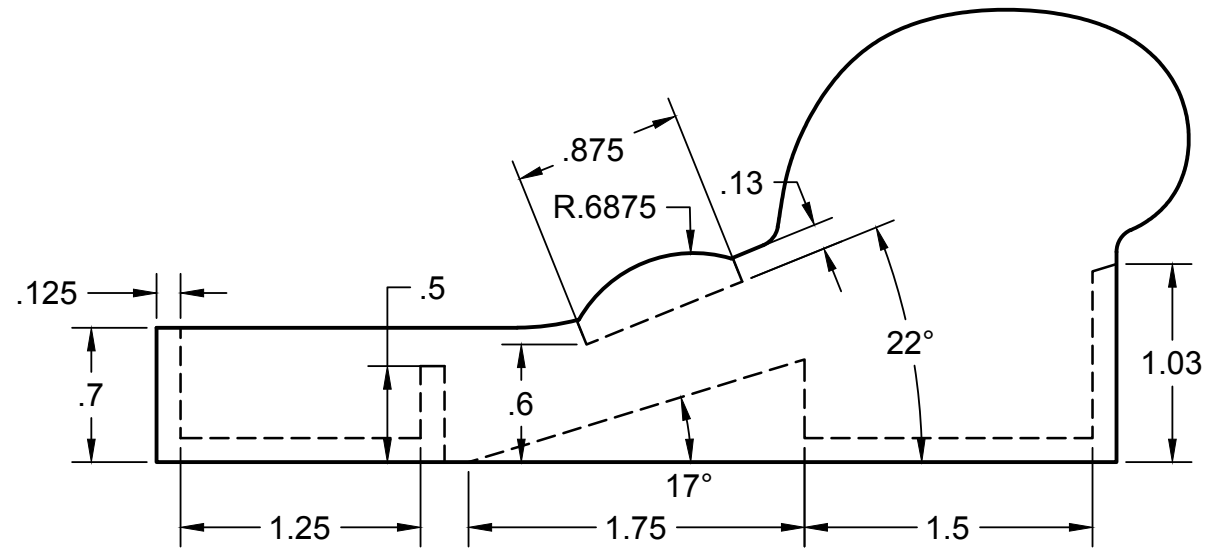


Isometric 1:2



		PROJECT			
		Chariot Issue 5 - Planes of WORK			
		TITLE			
		Body and Cheek Finished Dimensions			
APPROVED	SIZE	CODE	DWG NO	REV	
CHECKED	B				
DRAWN	Brian Rytel	10/4/2018	SCALE 1:1	WEIGHT	
			SHEET 1/1		