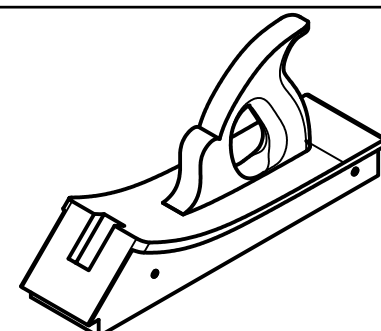
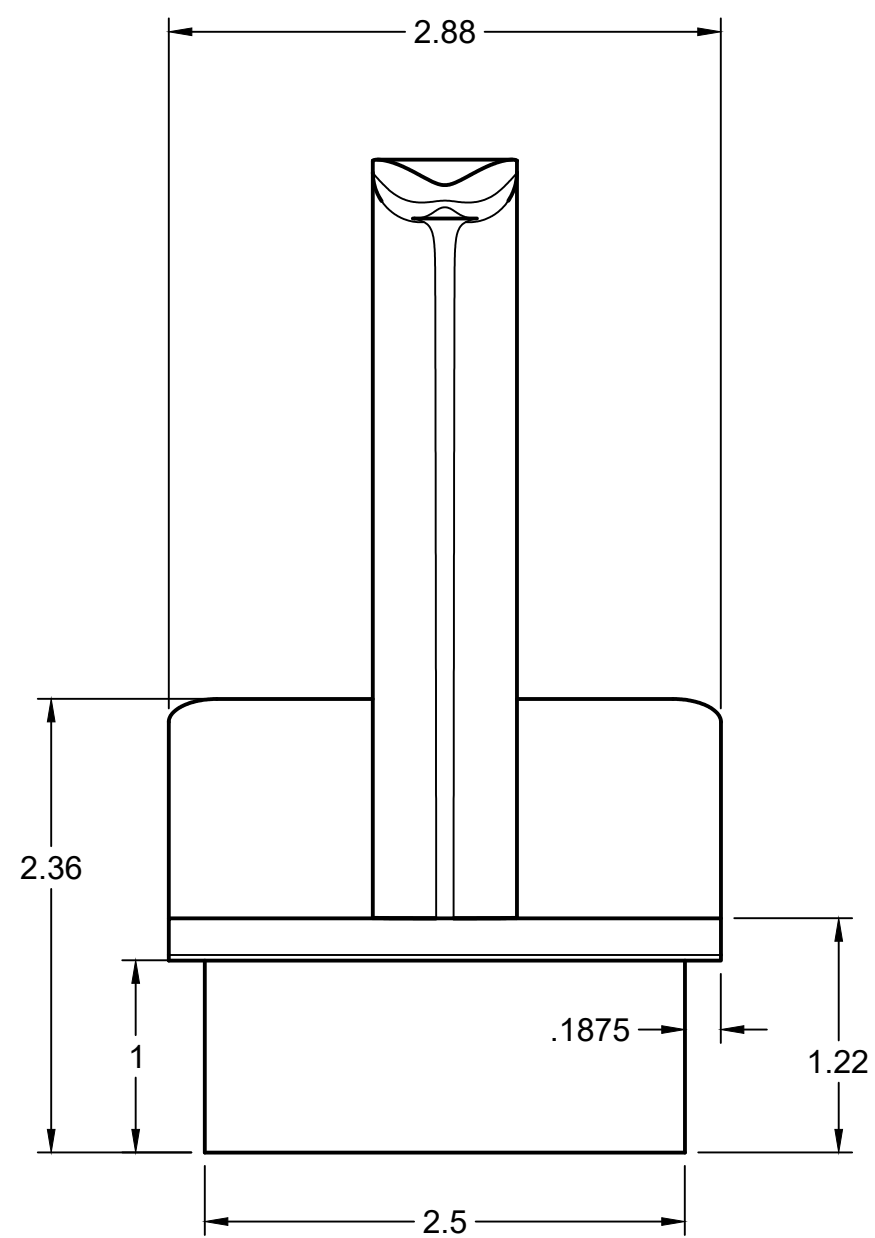
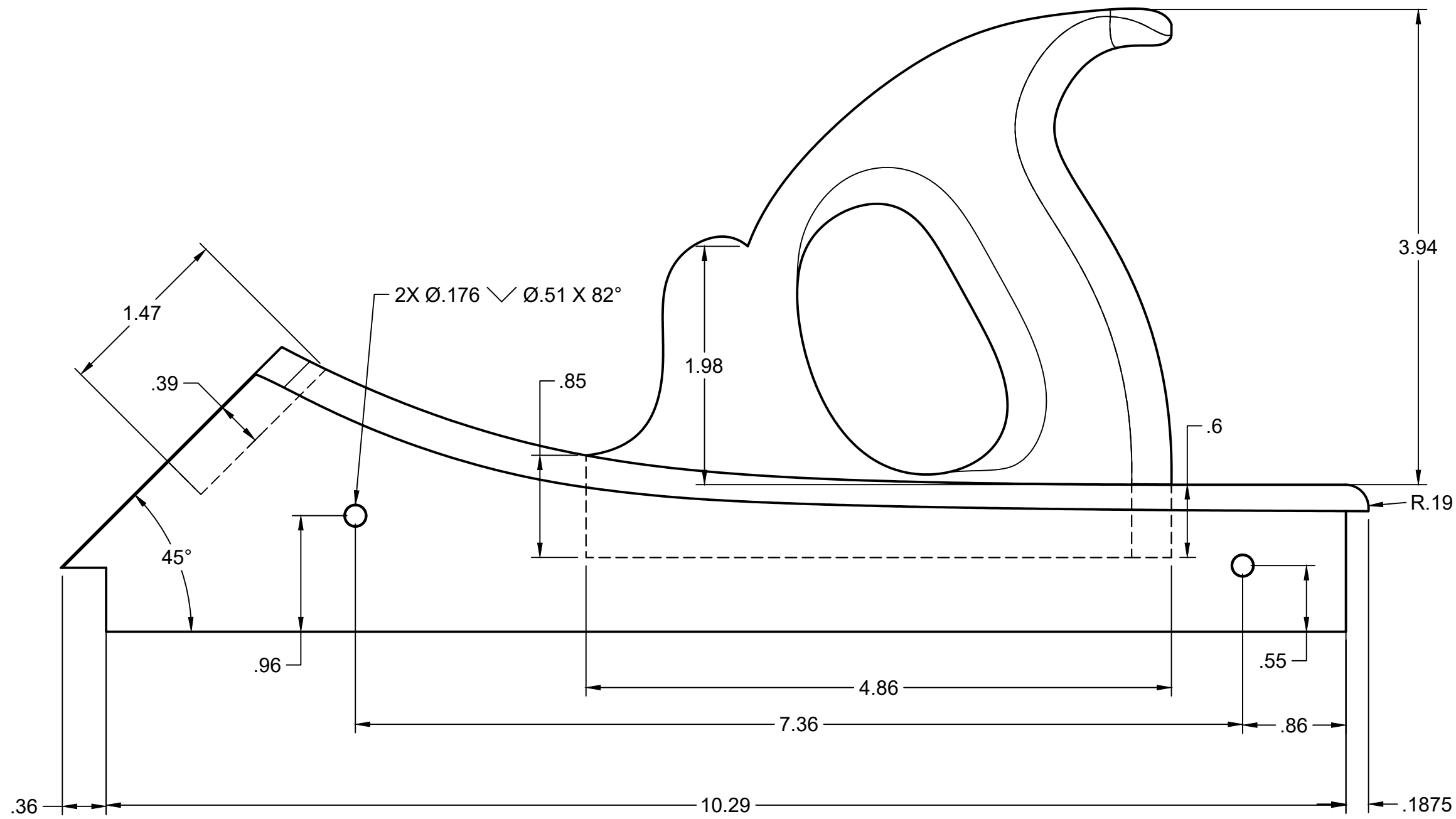
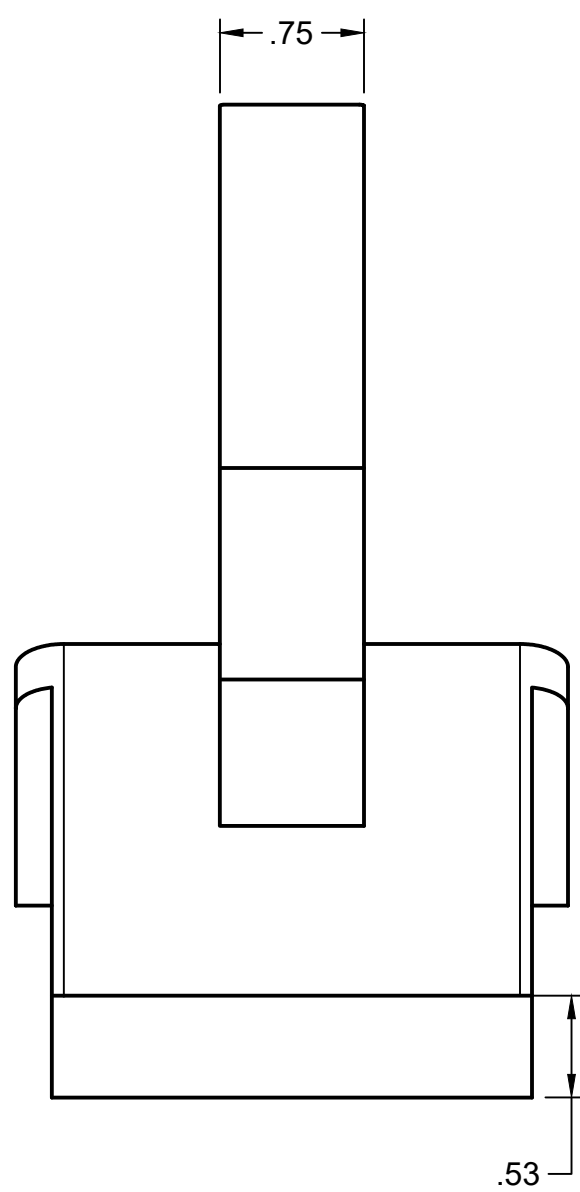
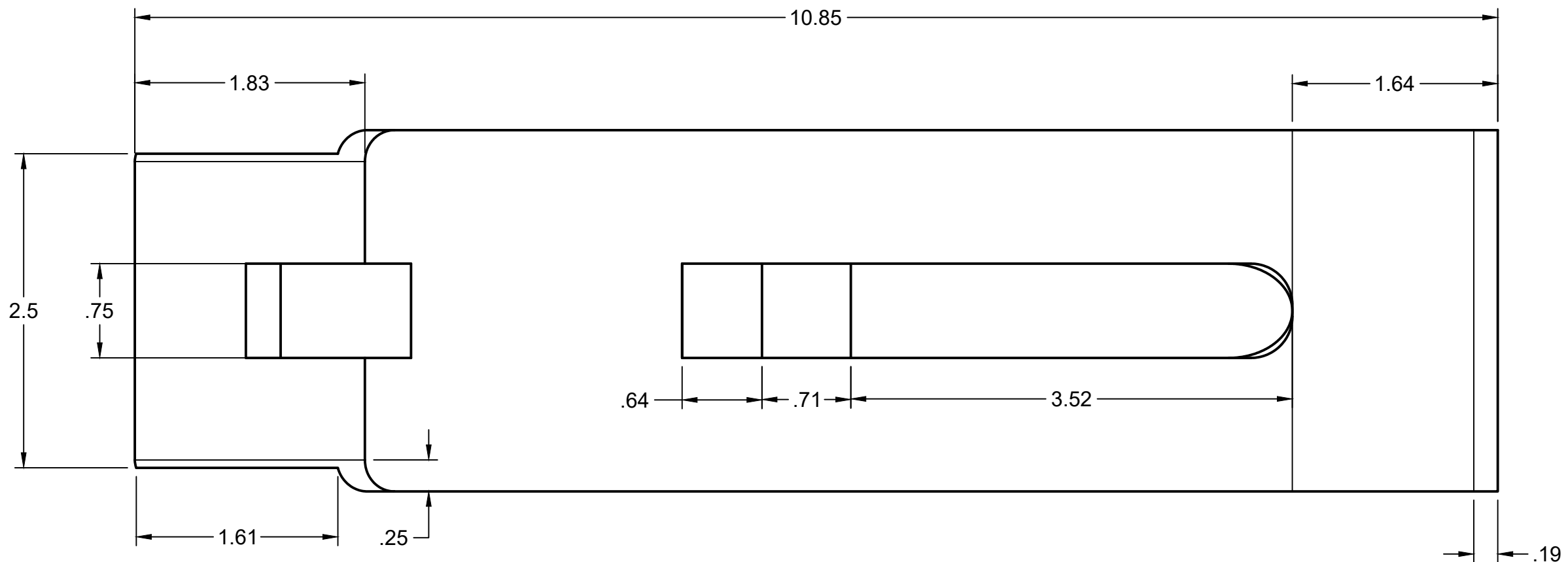


4

3

2

1



PROJECT			
WORK Planes			
TITLE			
Cast Infill Jointer Issue 4 Tote/Heel Infill			
APPROVED	SIZE	CODE	DWG NO
CHECKED	C		3
DRAWN Brian Rytel	SCALE 1:1	WEIGHT	SHEET 1/1
2/22/2023			

4

3

2

1

4

3

2

1