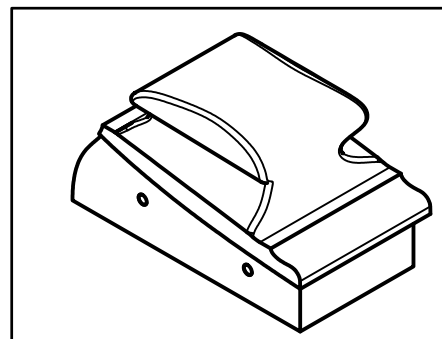


2X Ø.176  
 √ Ø.51 X 82°



PROJECT

**WORK Planes**

TITLE

**Cast Infill Jointer Issue 4  
 Bun / Toe Infill**

APPROVED	SIZE	CODE	DWG NO	REV
CHECKED	B		2	1
DRAWN	Brian Rytel	2/21/2023	SCALE 1:1	WEIGHT
			SHEET 1/1	