

4

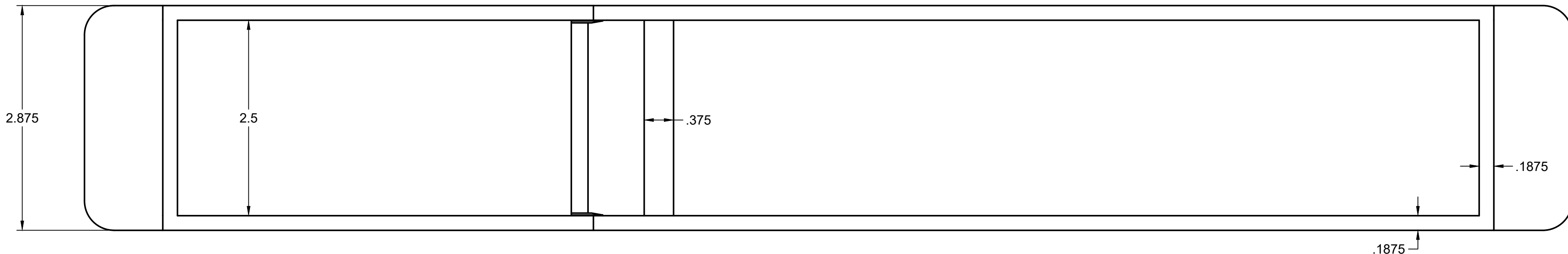
3

2

1

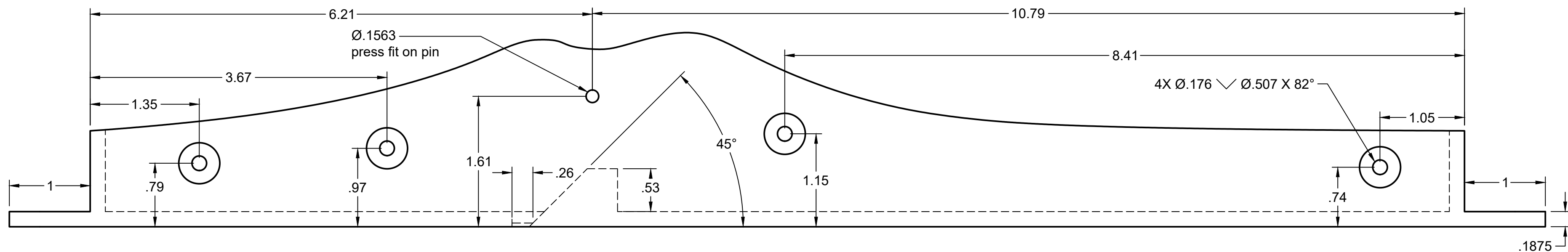
D

D



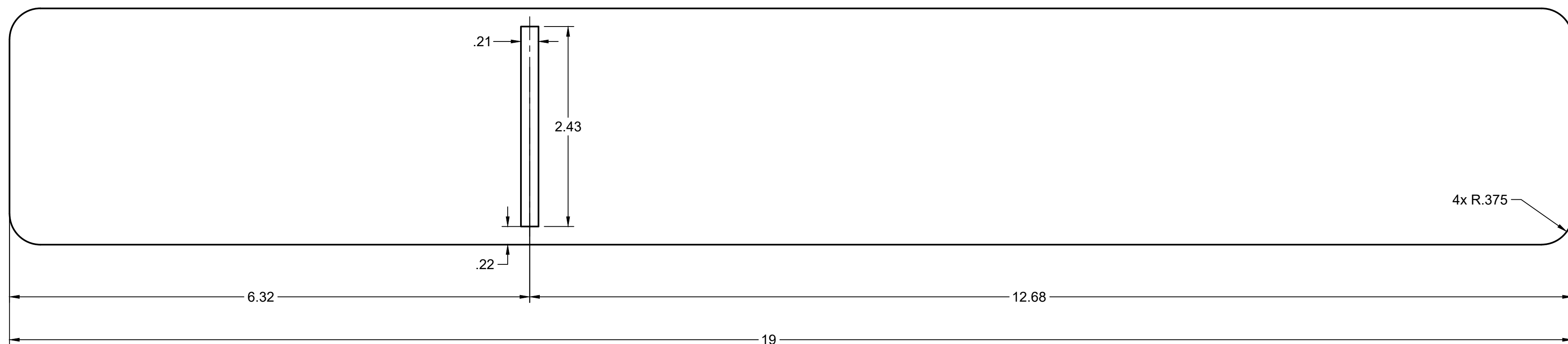
C

C



B

B



A

A

	PROJECT			
	<b>WORK Planes</b>			
TITLE				
<b>Cast Infill Jointer Issue 4 Body/Casting</b>				
APPROVED	SIZE	CODE	DWG NO	REV
CHECKED	C		1	1
DRAWN	Brian Rytel	2/21/2023	SCALE 1:1	WEIGHT
				SHEET 1/1

4

3

2

1